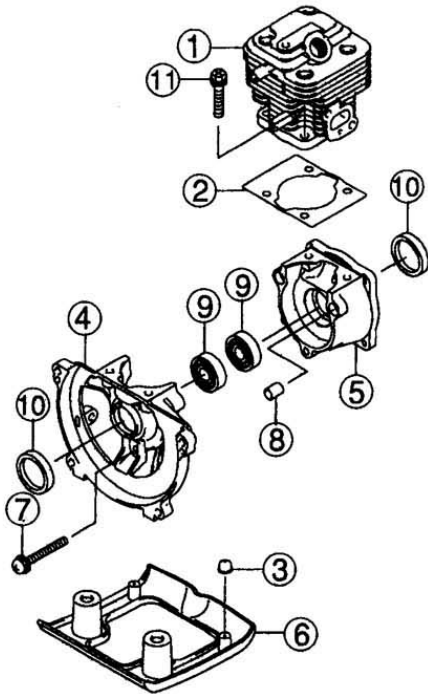
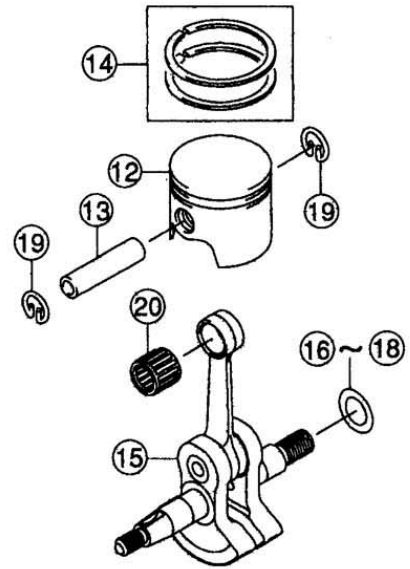


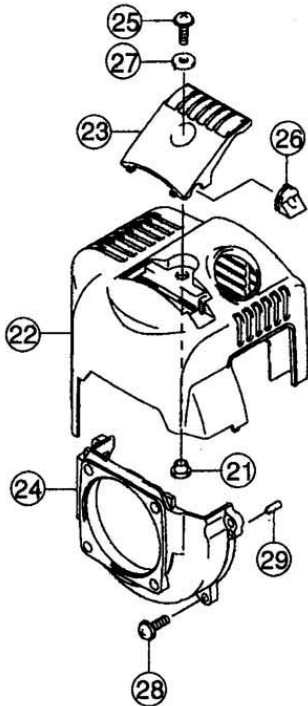
CYLINDER & CRANKCASE SYSTEM



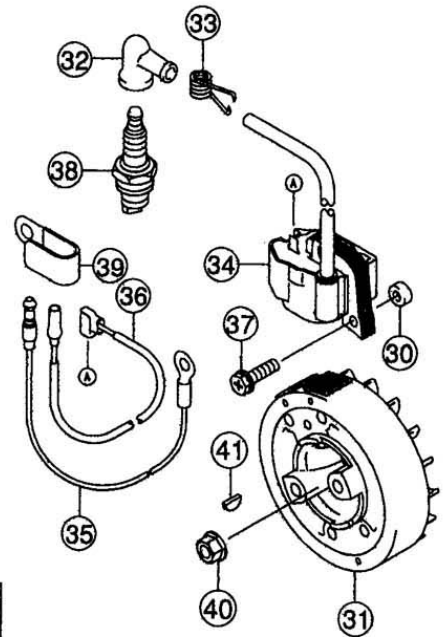
PISTON & CRANKSHAFT SYSTEM



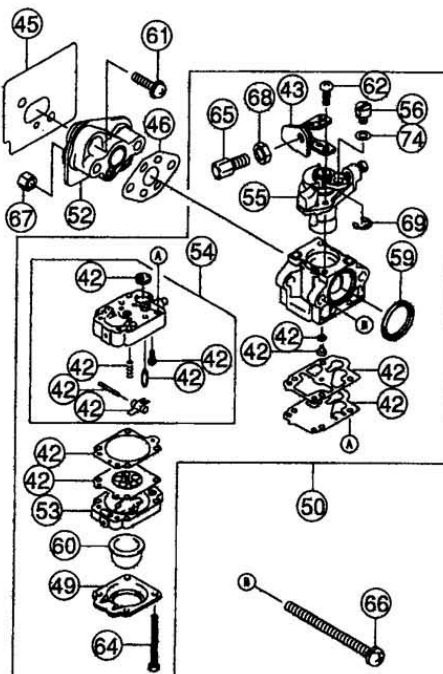
COOLING-EQUIPMENT SYSTEM



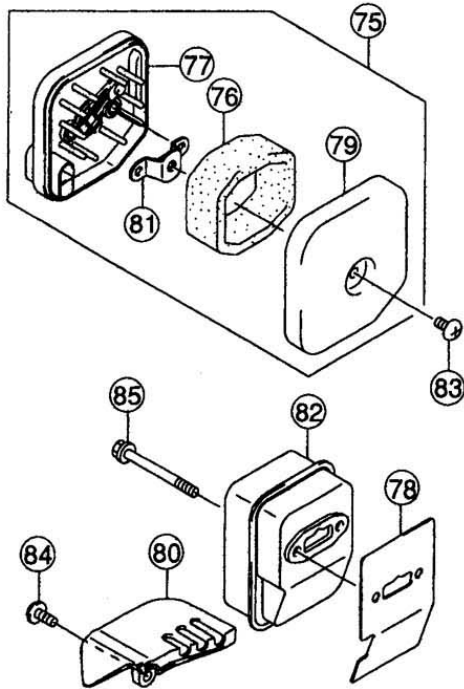
ELECTRIC-EQUIPMENT SYSTEM



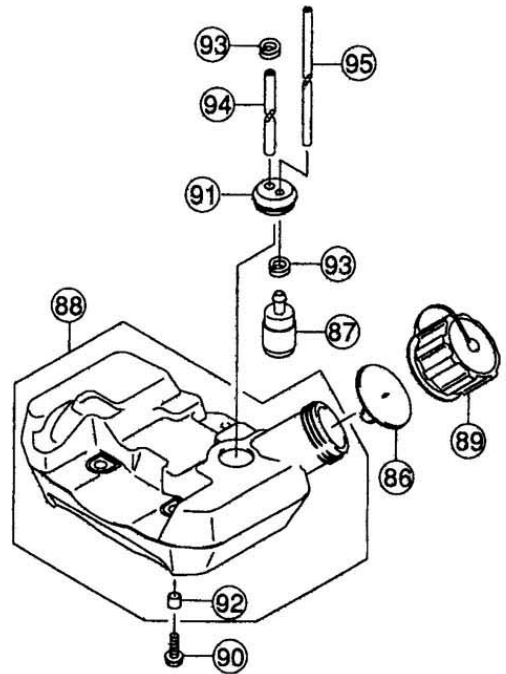
CARBURETOR SYSTEM



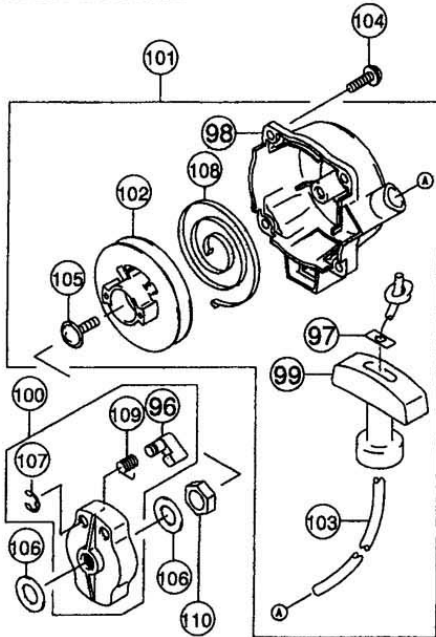
AIR-FILTER & MUFFLER SYSTEM



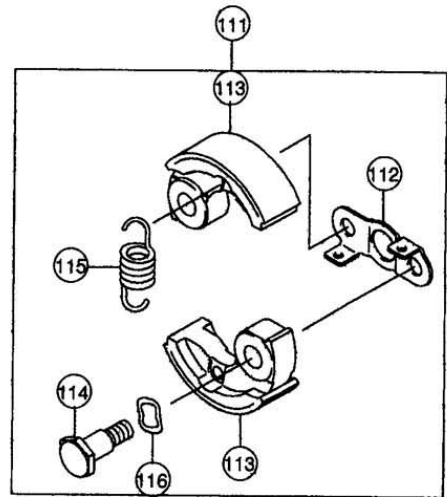
FUEL-TANK & FUEL-VALVE SYSTEM



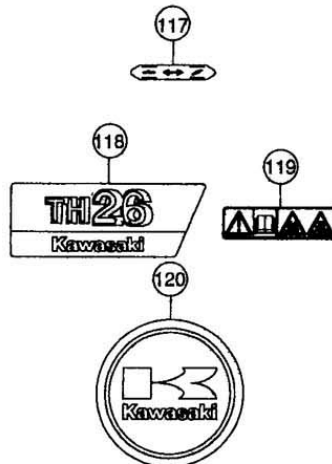
STARTER SYSTEM



P.T.O-EQUIPMENT SYSTEM



LABEL SYSTEM



# BRUSH CUTTER

## RK-26

